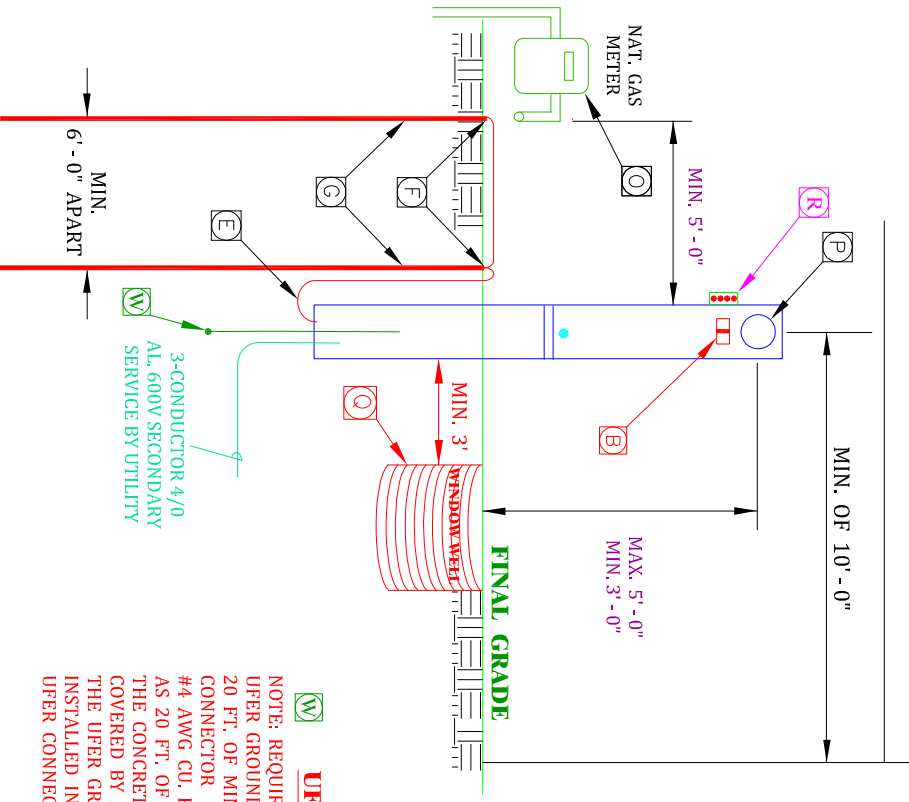
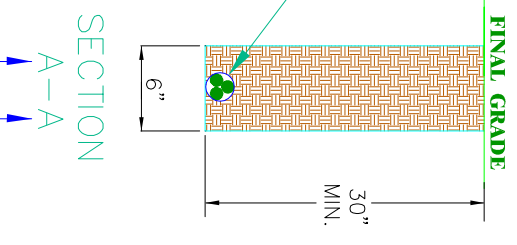
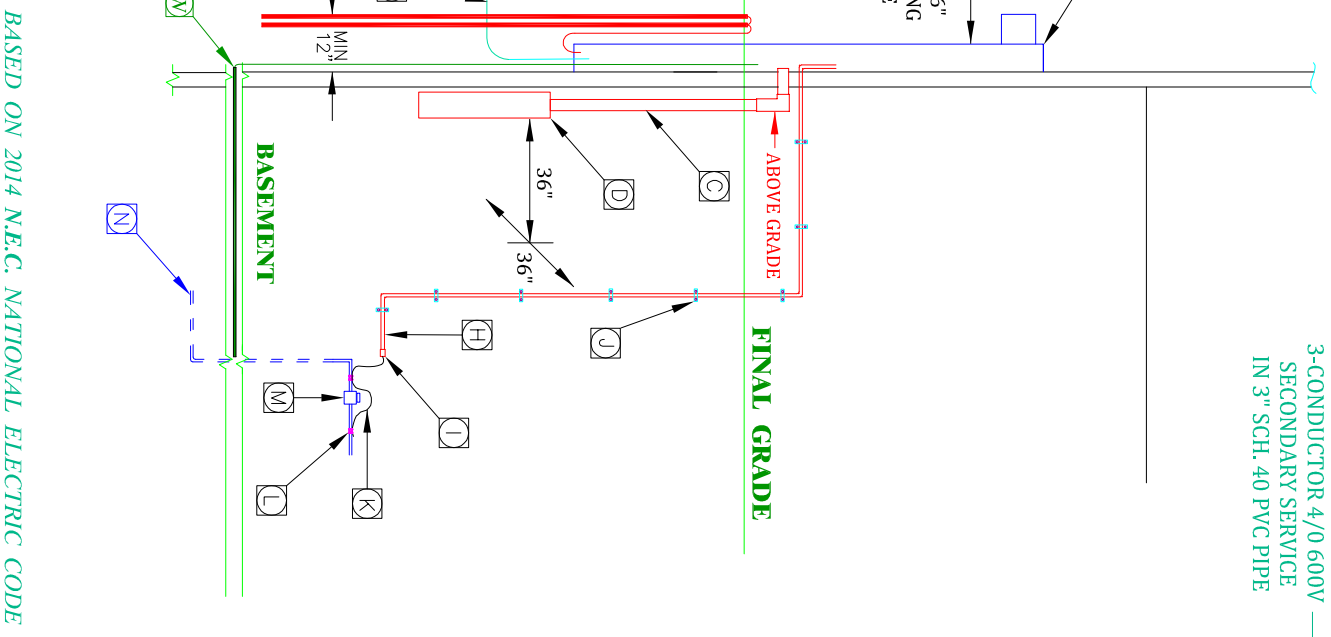


[R] INTERSYSTEM BOND - NEC 250.94
 REQUIRES A LISTED INTERSYSTEM BONDING TERMINATION WITH A MINIMUM OF THREE (3) ADDITIONAL TERMINALS PER NEC 250.94. THE ONLY APPROVED DEVICE IS THE **BURNDY BDT1** WITH NO EXCEPTIONS ALLOWED.



[W] UFER GROUND - NEC 250.52(3)
 NOTE: REQUIRED ON ALL NEW SERVICE INSTALLATIONS UFER GROUND CONSISTING OF #4 AWG CONNECTED TO: 20 FT. OF MIN. 1/2" DIAMETER REBAR USING A LISTED CONNECTOR OR #4 AWG CU. RUN TO FOOTING DEPTH THEN CONTINUOUS AS 20 FT. OF #4 AWG CU. WIRE RUN HORIZONTALLY IN THE CONCRETE FOOTING. THE UFER GROUND SHALL BE COVERED BY A 2" MIN. OF CONCRETE ON ALL SIDES. THE UFER GROUND WIRE IS NOT REQUIRED TO BE INSTALLED IN CONDUIT UNLESS EXPOSED ABOVE GRADE. UFER CONNECTS AT THE FIRST POINT OF DISCONNECT.



CHECKLIST AND LEGEND REVISION DATE: 5/17/2016

- [A]** THE ELECTRIC UTILITY TO PROVIDE A TRENCH AND 3" SCHEDULE 40 OVC PIPE PER SECTION A-A FOR ALL NEW SINGLE FAMILY HOUSE SERVICES.
- [B]** METER PEDESTAL (METER BY UTILITY)
 100 AMP - MILBANK CAT. # N08980-0-100-KK OR AN APPROVED EQUIVALENT
 200 AMP - MILBANK CAT. # N08980-0-200-KK OR AN APPROVED EQUIVALENT.
 OVER 200 AMP - CONSULT ST. CHARLES METER & COMMUNICATION DEPARTMENT.
 METER PEDESTAL MUST BE SECURED TO THE BUILDING STUDS OR OTHER STRUCTURAL ELEMENT AND NOT JUST THE SIDING. THE METER BASE MUST BE PROPERLY GROUNDING. AN EXTERNAL MAIN BREAKER IS REQUIRED ON ALL NEWLY CONSTRUCTED SINGLE FAMILY HOMES AND TOWNHOMES.
 IN THE CASE OF EXISTING HOMES WHERE A METER SOCKET REPLACEMENT TAKES PLACE DUE TO CUSTOMER-INITIATED WORK SUCH AS THE FOLLOWING: A SERVICE UPGRADE, A SERVICE RELOCATION, OR ANY MODERNIZATION DONE TO THE SERVICE, AN EXTERNAL MAIN BREAKER IN THE NEW METER SOCKET IS REQUIRED.
- [C]** RIGID GALVANIZED STEEL, IMC, OR EMT PIPE AND FITTINGS WITH CONDUCTORS:
 100 AMP - (2) #4 PHASE AND (1) #4 NEUTRAL THWN COPPER CONDUCTORS IN 1 1/4" PIPE.
 200 AMP - (2) 2/0 PHASE AND (1) 2/0 NEUTRAL THWN COPPER CONDUCTORS IN 1 1/2" PIPE. A MINIMUM OF 2" IS PREFERRED.
- [D]** EACH TENANT/PREMISE MUST HAVE A READILY ACCESSIBLE MAIN DISCONNECT, WHICH IS INTERPRETTED AS A MAIN DISCONNECT INSIDE THE TENANT SPACE/PREMISE UNLESS GIVEN AN EXCEPTION BY THE CITY OF ST. CHARLES ELECTRIC OR BUILDING & CODE ENFORCEMENT DEPARTMENT.
- [E]** #6 CU, INSULATED GROUND ELECTRODE CONDUCTOR. IF THERE IS NO EXTERNAL BREAKER, THE INSULATED GROUND CONDUCTOR TO BE CONTINUOUS TO THE MAIN PANEL AND THE CONDUCTOR IS NOT CONNECTED AT THE METER SOCKET. IF AN EXTERNAL BREAKER IS UTILIZED, THE #6 CU GROUND CONDUCTOR FROM THE GROUND RODS IS REQUIRED TO BE LANDED IN THE MAIN BREAKER ENCLOSURE. GROUND RODS MAY BE LOOP CONNECTED.
- [F]** THE GROUND ROD CONNECTORS MUST BE VISIBLE EITHER JOSELYN 8332 OR APPROVED EQUIVALENT. A WARNING TAG SHALL BE SUPPLIED AND INSTALLED BY THE UTILITY.
- [G]** THE 5/8" X 8' COPPER CLAD GROUND RODS (2) SHALL BE INSTALLED IN UNDISTURBED SOIL. GROUND RODS MUST BE INSTALLED A MINIMUM OF 12" FROM THE FOUNDATION & 6' APART.
- [H]** 1/2" CONDUIT WITH GROUND WIRE OR A BARE ARMORED GROUND.
- [I]** 200 AMP - #8 COPPER GROUND WIRE
- [J]** WHERE AN EXTERNAL BREAKER IS UTILIZED, THE GROUND ELECTRODE CONDUCTOR FROM THE WATER PIPE SHALL BE LANDED IN THE BREAKER'S ENCLOSURE. IT IS REQUIRED TO BE INSTALLED IN ITS OWN SEPARATE CONDUIT ALL THE WAY TO THE OUTSIDE ENCLOSURE. IF THE RACEWAY IS METALLIC, THEN BOTH ENDS OF THE CONDUIT SHALL BE BONDED TO THE CONDUCTOR AS IT EXITS THE RACEWAY AS PER NEC 250.64(f)
- [K]** THE 1/2" CONDUIT END CONNECTOR - SECURE THE CONDUCTOR TO THE CONDUIT
- [L]** THE 1/2" CONDUIT STRAPS (TYPICAL).
- [M]** THE GROUND CONDUCTOR (AS SHOWN WITH A JUMPER ACROSS THE WATER METER).
- [N]** THE GROUND CONDUCTOR TO WATER LINE CONNECTOR.
- [O]** THE UTILITY WATER METER.
- [P]** THE INCOMING UTILITY WATER LINE.
- [Q]** THE NATURAL GAS METER MUST BE A MINIMUM OF 5'-0" FROM THE SERVICE EQUIPMENT.
- [R]** THE ELECTRIC METER PROVIDED BY THE UTILITY.
- [S]** THE ELECTRIC SERVICE EQUIPMENT MUST BE A MINIMUM OF 3'-0" FROM A WINDOW WELL.

NOTE: MINIMUM SERVICE SIZE FOR NEW ONE OR TWO FAMILY DWELLING IS 200 AMPS. MINIMUM SERVICE SIZE FOR NEW MULTI-FAMILY OR 3 OR MORE ATTACHED IS 100 AMPS PER UNIT DWELLING.

NEC & NESC PRESCRIBE MINIMUM CLEARANCES FOR SERVICE WIRES